

Intersection Chairs

Intersection chairs

USES

- Civil heavy precast
- Suspended decks
- Beams, walls and columns
- Horizontal or vertical

DESCRIPTION

The heavy duty intersection chair was designed for the precast industry and the production of "SuperT Beams".

The result is a design that takes advantage of the intersection to provide a chair that does not move.

Clipped to both bars at the intersection, the chair is amazingly secure and will not swivel or turn. Ideal in vertical applications.

The chairs are currently designed to accommodate combinations of Y16 bars and Y12 bars.

Designed and manufactured from quality plastic for optimum performance, the new chairs have been load tested to exceed 200kg.



ADVANTAGES

- STABLE - Ensures minimum cover requirements
- GREY - To match concrete
- RUST FREE - Avoids rust migration
- STRONG ROBUST - Exceeds loads of 200kg
- SECURE CLIP-ON - Secures to the intersection to eliminate movement

SUPPLY

30, 35, 60 and 65mm cover.

PROPERTIES



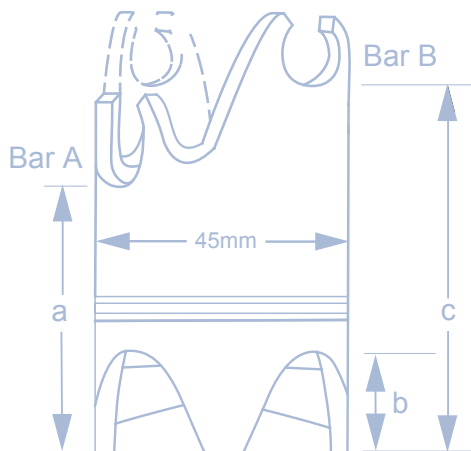
Intersection Chairs

P/code	Bar A	Bar B	a	b	c
BHD30IN16&12	16	12	30	20	46
BHD35IN16&12	16	12	35	20	51
BHD60IN16&12	16	12	60	45	76
BHD65IN16&12	16	12	65	45	81
BHD30IN16&16	16	16	30	20	46
BHD35IN16&16	16	16	35	20	51
BHD60IN16&16	16	16	60	45	76
BHD65IN16&16	16	16	65	45	81
BHD30IN12&12	12	12	30	20	42
BHD35IN12&12	12	12	35	20	47
BHD60IN12&12	12	12	60	45	72
BHD65IN12&12	12	12	65	45	77

*Other bar combinations are available subject to minimum production requirements, ie. 12 & 16.

Packed in bags of 100, or in bales.

All dimensions are nominal and expressed in millimetres.



LOAD PERFORMANCE

Tests were conducted and are indicative of load performances, at temperatures indicated.

ADDITIONAL INFORMATION

Parchem provides a wide range of complementary products which include:

- concrete repair – cementitious and epoxy
- grouts and anchors – cementitious and epoxy
- waterproofing membranes – liquid applied, cementitious and bituminous sheet membranes
- waterstops – pvc and swellable
- joint sealants – building, civil and chemical resistant
- industrial flooring systems – cementitious and epoxy
- architectural coatings
- filler boards – swellable cork, bituminous and backing rod
- ancillary products

For further information on any of the above, please consult with your local Parchem sales office.

IMPORTANT NOTICE

A Material Safety Data Sheet (MSDS) and Technical Data Sheet (TDS) are available from the Parchem website or upon request from the nearest Parchem sales office. Read the MSDS and TDS carefully prior to use as application or performance data may change from time to time. In emergency, contact any Poisons Information Centre (phone 13 11 26 within Australia) or a doctor for advice.

PRODUCT DISCLAIMER

This Technical Data Sheet (TDS) summarises our best knowledge of the product, including how to use and apply the product based on the information available at the time. You should read this TDS carefully and consider the information in the context of how the product will be used, including in conjunction with any other product and the type of surfaces to, and the manner in which, the product will be applied. Our responsibility for products sold is subject to our standard terms and conditions of sale. Parchem does not accept any liability either directly or indirectly for any losses suffered in connection with the use or application of the product whether or not in accordance with any advice, specification, recommendation or information given by it.

